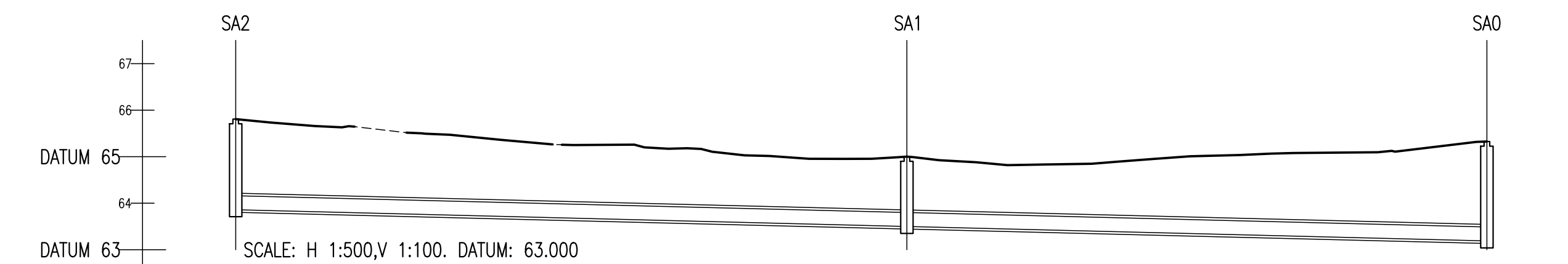
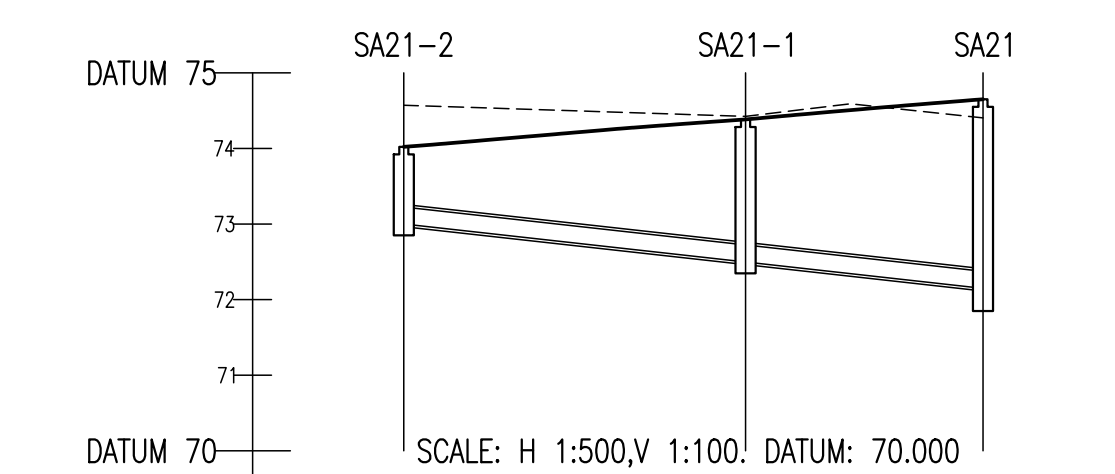


- NOTES:
- ALL DRAWINGS TO BE CHECKED BY CONTRACTOR ON SITE AND ENGINEER INFORMED OF DISCREPANCIES BEFORE WORK COMMENCES
 - ALL LEVELS ARE IN METRES AND ARE RELATED TO ORDNANCE DATUM
 - CONTRACTOR SHALL SATISFY HIMSELF AS TO THE ACCURACY OF PAVEMENT LEVELS ON SITE PRIOR TO COMMENCEMENT OF WORKS ON SITE
 - ALL WORKS TO BE CONSTRUCTED IN ACCORDANCE WITH THE NRA SPECIFICATION FOR ROAD WORKS UNLESS NOTED OTHERWISE
 - THIS DRAWING IS FOR PLANNING PURPOSES ONLY
 - MANHOLE COVER LEVELS ARE TO CONFORM WITH FINISHED ROAD AND PATH LEVELS
 - WHERE COVER TO PIPE IS LESS THAN 1200mm (ROAD/PATH/VERGE) OR 900mm (OPEN SPACE) SURROUND PIPE IN MINIMUM 150mm CONCRETE

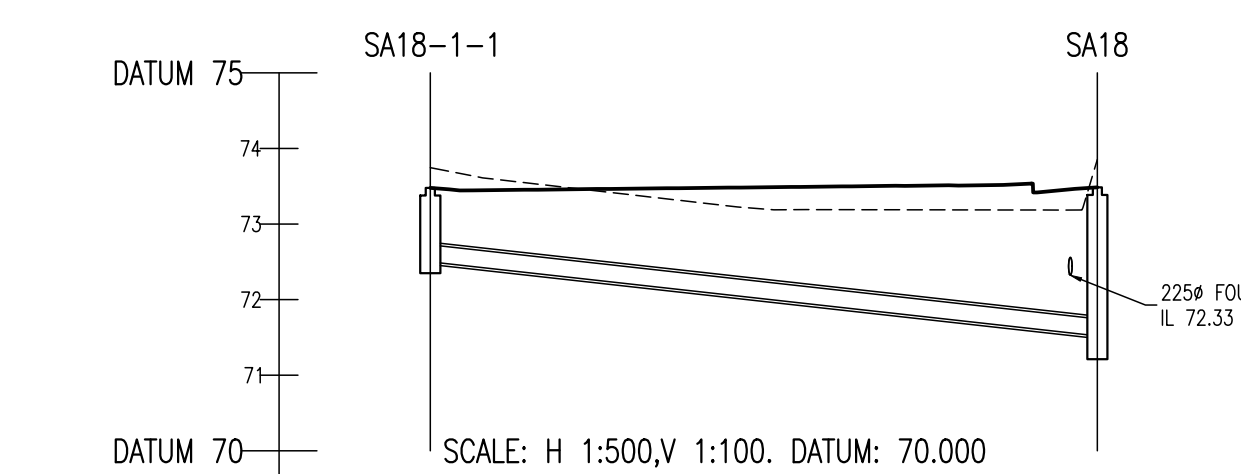
KEY
 - - - - - EXISTING GROUND PROFILE
 ——— PROPOSED GROUND PROFILE



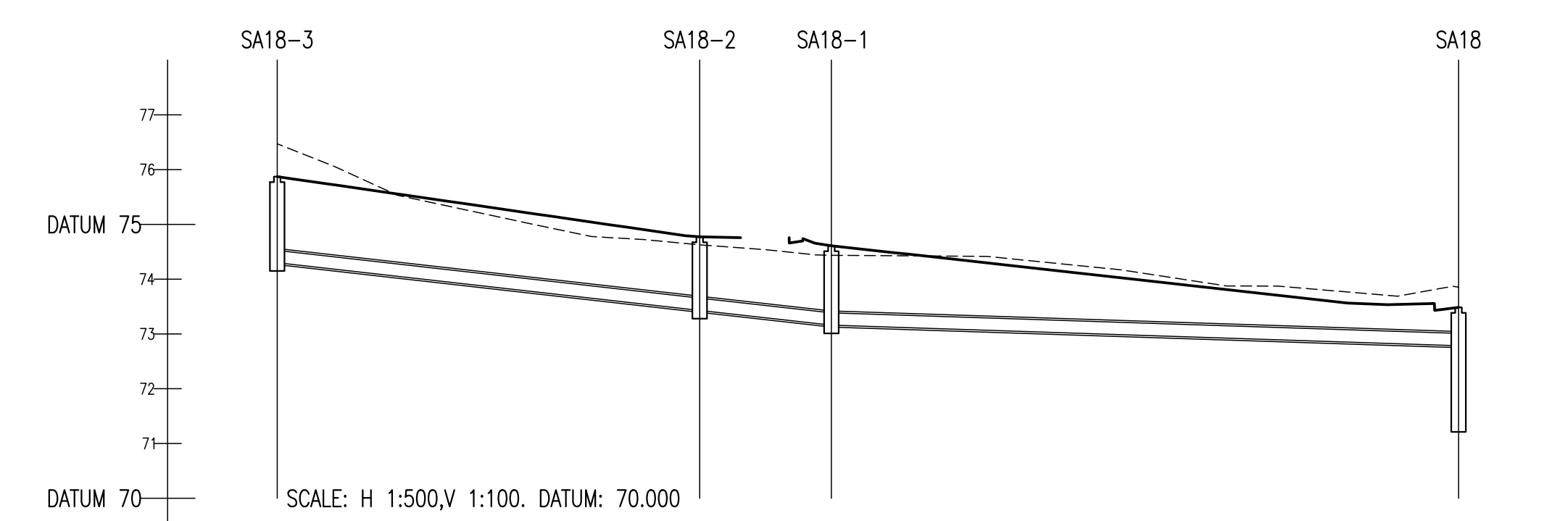
COVER LEVEL	65.805		65.001	65.326
INVERT LEVEL	63.880	1.026	63.500 63.520	63.189
DEPTH (m)	1.945		1.501	2.137
DISTANCE (m)		72.02		62.24
PIPE SLOPE		1:200		1:200
PIPE SIZE		300mm		300mm



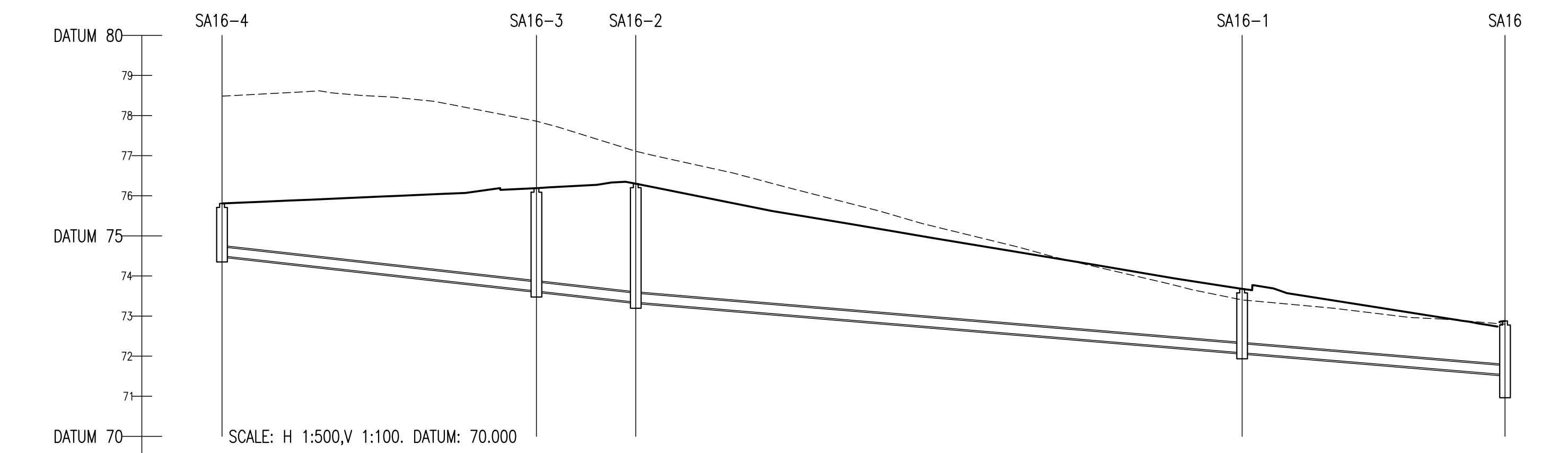
COVER LEVEL	74.021		74.383	74.650
INVERT LEVEL	73.000	2.000	72.488 72.488	72.149
DEPTH (m)	1.021		1.893	2.651
DISTANCE (m)		22.60		15.71
PIPE SLOPE		1:45		1:45
PIPE SIZE		225mm		225mm



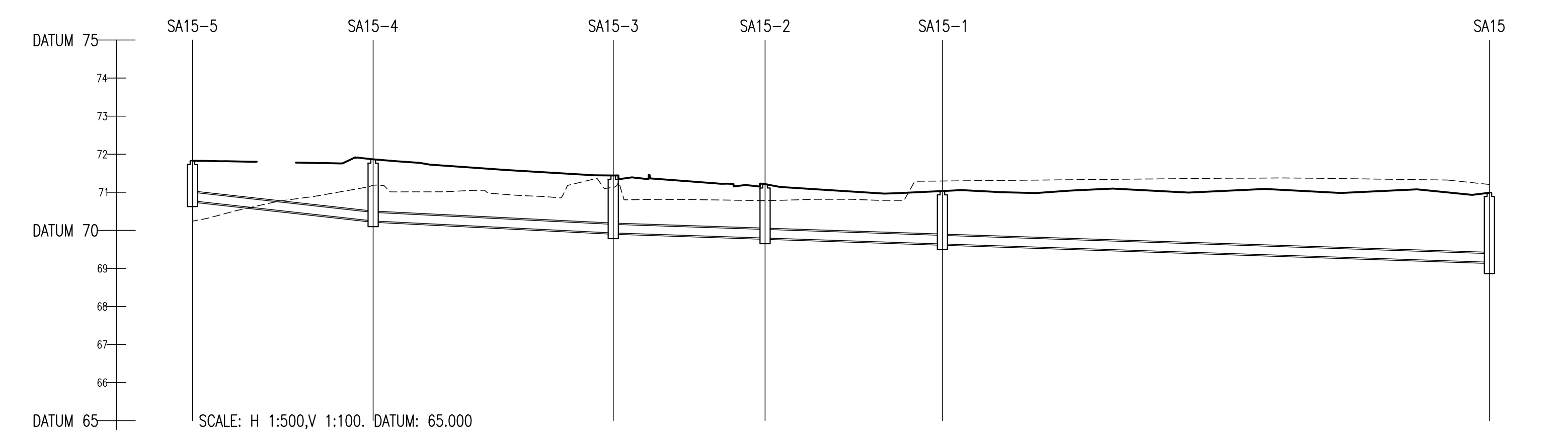
COVER LEVEL	73.478		73.485
INVERT LEVEL	72.500	4.000	71.520
DEPTH (m)	0.978		2.123
DISTANCE (m)		44.12	
PIPE SLOPE		1:45	
PIPE SIZE		225mm	



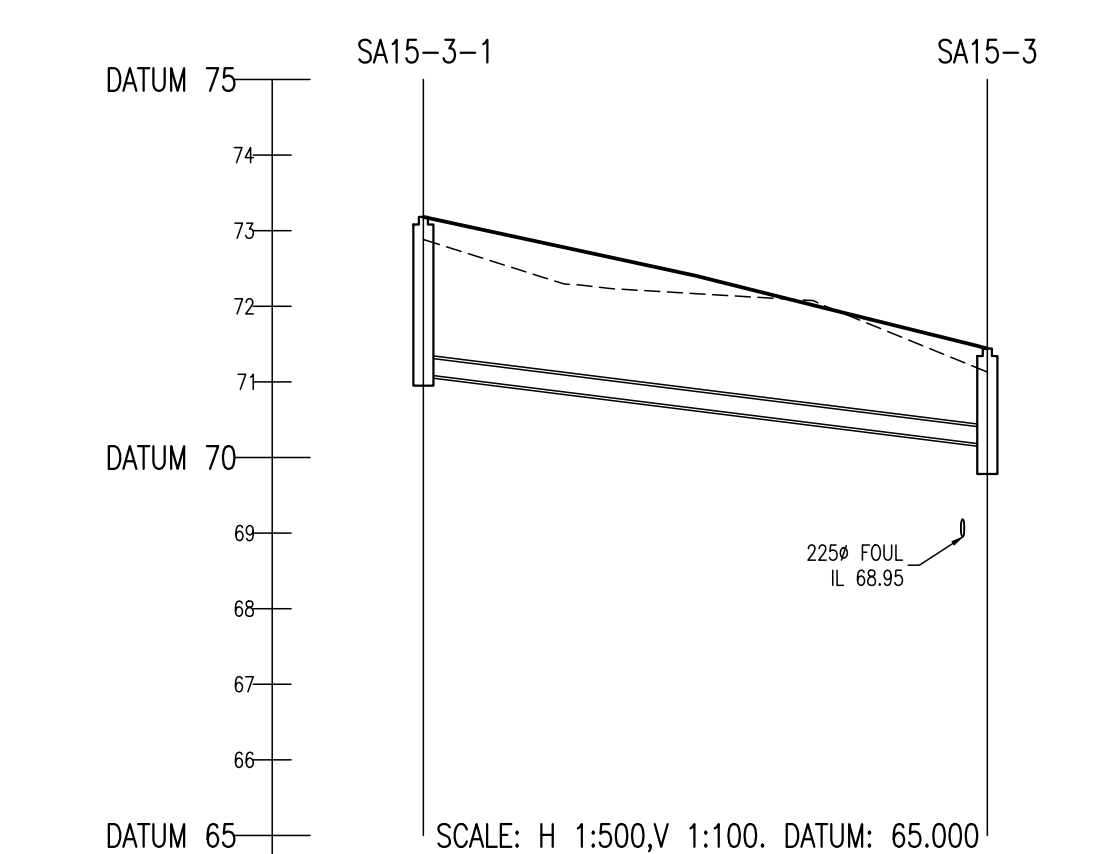
COVER LEVEL	75.871		74.773	74.610	73.485
INVERT LEVEL	74.300	3.000	73.478 73.478	73.180	72.785
DEPTH (m)	1.571		1.344	1.480	2.123
DISTANCE (m)		38.55	12.01		57.22
PIPE SLOPE		1:44	1:45		1:153
PIPE SIZE		225mm	225mm		225mm



COVER LEVEL	75.888		76.189	76.302	73.678	72.877
INVERT LEVEL	74.500	5.000	73.625 73.625	73.345	72.085	71.538
DEPTH (m)	1.388		2.584	2.857	1.593	1.764
DISTANCE (m)		39.22	12.39		75.63	32.79
PIPE SLOPE		1:45	1:44		1:60	1:60
PIPE SIZE		225mm	225mm		225mm	225mm



COVER LEVEL	71.829		71.886	71.213	71.032	70.988
INVERT LEVEL	70.775	6.000	70.247 70.247	69.832 69.832	69.799 69.799	69.643 69.643
DEPTH (m)	1.054		1.619	1.510	1.414	1.389
DISTANCE (m)		23.75	31.56	19.95	23.31	71.89
PIPE SLOPE		1:45	1:100	1:150	1:149	1:150
PIPE SIZE		225mm	225mm	225mm	225mm	225mm



COVER LEVEL	73.182		71.442
INVERT LEVEL	71.100	7.000	70.167
DEPTH (m)	2.082		1.510
DISTANCE (m)		37.30	
PIPE SLOPE		1:40	
PIPE SIZE		225mm	

REV.	DATE	DESCRIPTION	BY	CHKD.
PLANNING				
DESIGNED	BK	PREPARED	ICD	
DATE	APR 2019	CHECKED	DJR	

DBFL Consulting Engineers
 Dublin Office: Ormond House, Upper Ormond Quay, Dublin 7, Ireland. Phone: +353 1 400 4000 Fax: +353 1 400 4050
 Waterford Office: Unit 2, The Chandlery, 1-2 O'Connell Street, Waterford, Ireland. Phone: +353 51 339 550 Fax: +353 51 844 913
 Email: info@dbfl.ie Site: www.dbfl.ie

PROJECT
LANDS AT CAPDOO, CLANE, CO. KILDARE

DRG. TITLE
LONGITUDINAL SECTIONS THROUGH SURFACE WATER SHEET 2

CLIENT
ARDSTONE RESIDENTIAL FUND